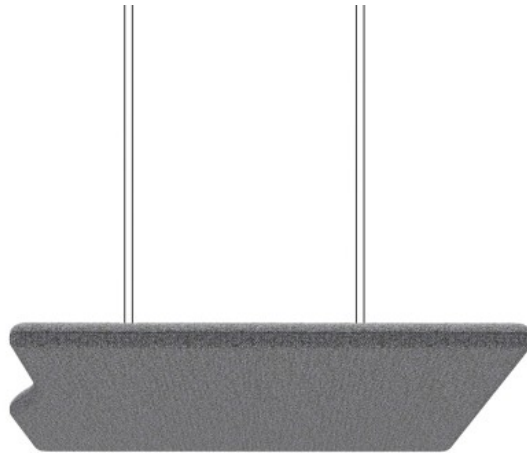


flos:acoustics

FS SS 120

: product card



Flos acoustic panels and screens fulfil three important functions: soundproofing, dividing space, and aesthetics. All Flos furniture is united by a flowing shape line that expresses peace and harmony.

design:
Tomasz Augustyniak

Product website
[website link](#)



bejot:

collection advantages

harmony and silence

Flos acoustic ceiling panels not only significantly improve acoustics by reducing reverberation, but also bring harmony and aesthetics to the interior. Available in a variety of shapes, sizes and colours, they fit perfectly into modern interiors.

The panels bring order and harmony to the interior thanks to the use of flowing lines consistent throughout the collection.

consistent design

The distinctive, flowing contour line has been inscribed into one of the sides of the panels and acoustic walls. The use of several panels set together, allows the creation of coherent functional layouts and offers a wide range of design possibilities.

technical data

FS SS 120

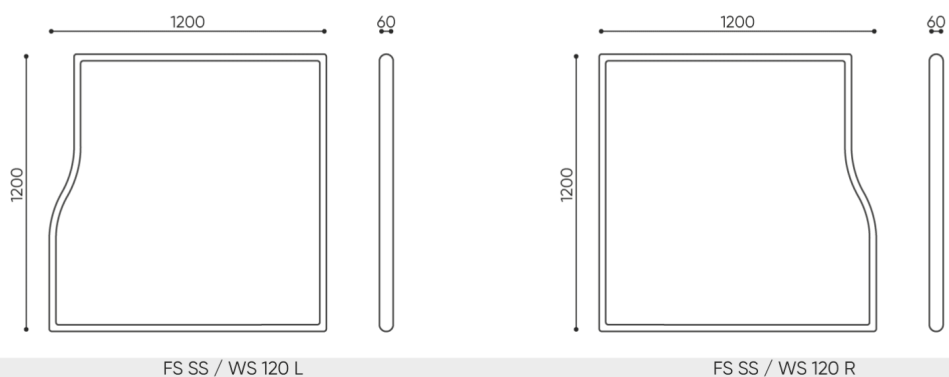
Standard ●
Option ○

Mounting

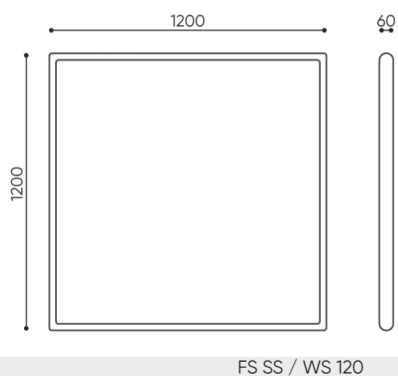
- The set of fasteners with 4 cables, 1.5m long ●
- Longer mounting cables ○

dimensions

FS SS 120



bejot:flos:acoustics



- H** height: overall dimensions
- W** width: overall dimensions
- L** depth: overall dimensions

Dimensions are approximate and may vary depending on the selected product configuration. The requirements of the standard are always met.

materials available for collection

1st price group	Fenno
2nd price group	Alpa, Charles, Charles - Studio Design, Cura, Era - Studio Design, Pastel, Roccia
3rd price group	Ally, Ally SD, Alpa-Studio Design, Blazer, Cura SD, Easy SD, Oceanic, Synergy, Synergy - Studio Design
4th price group	Heritage
5th price group	Accessoire, Steelcut Trio 3

