

# flos

## FS K 4W

: product card



The Flos collection is all about extremely comfortable seating with a wide range of bases: metal, wooden, on castors, low, high and benches. It is perfect for both office and home workplaces.

**design:**  
**Tomasz Augustyniak**

**must  
have**  
THE BEST OF DESIGN AND TECHNOLOGY

# bejot:

**Product website  
website link**



# collection advantages

## one chair - many possibilities

The Flos chair collection is distinguished by its wide range of bases (metal, wooden as well as on castors). Two equally comfortable seat types, with or without armrests, respond to the needs of today's working environment (office and home office).

## user comfort

Flos seats use compression cones, which significantly increases seating comfort

## technical data

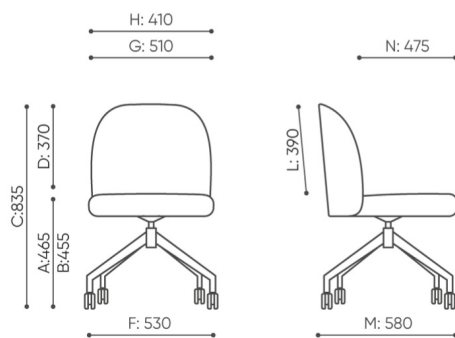
FS K 4W

Standard ●  
Option ○

Mechanism	Code	
Rotatable, without height adjustment	A1	●
Rotable with 3d motion function (forward, backward and sideways) without height adjustment	O4	○
<b>Base</b>		
Polished aluminum 4-star base (chrome effect) Ø700	48	●
Powder coated aluminum 4-star base (colors according to Bejot sampler book) Ø700	49	○
<b>Castors</b>		
Hard castors for soft floors Ø 65 with auto-brake	DEMA	●
Soft castors for hard floors Ø 65 with auto-brake	DEMAD	○
Universal castors without brake function, color white	RL W4	○

# dimensions

## FS K 4W



FS K 4W

- A seat height: overall dimensions
- B seat height: measured according to the norm  
PN EN 1335 - 1
- C chair height
- D backrest height
- E headrest height
- F dimensional width chair / base
- G seat width
- H backrest width
- I width between armrests
- K height from the floor to the armrest
- L backrest length
- M dimensional chair depth
- N seat depth / seat length

Dimensions are approximate and may vary depending on the selected product configuration. The requirements of the standard are always met.

## materials available for collection

1st price group	Fenno, Keimo
2nd price group	Alpa, Charles, Charles - Studio Design, Cura, Pastel, Roccia
3rd price group	Ally, Ally SD, Alpa-Studio Design, Blazer, Cura SD, Easy SD, Oceanic, Silvertex , Silvertex - Studio Design, Synergy, Synergy - Studio Design
4th price group	Heritage, Oceanic-Studio Design, Remix - Studio Design
5th price group	Accessoire, Steelcut Trio 3
Leather	Leather
Wood	Solid oak wood - clear varnish matt
Metal	Metal - powder coated

bejot:flos

