

flos

FS K 260

: product card



The Flos collection is all about extremely comfortable seating with a wide range of bases: metal, wooden, on castors, low, high and benches. It is perfect for both office and home workplaces.

design:
Tomasz Augustyniak

**must
have**
THE BEST OF DESIGN AND TECHNOLOGY

bejot:

**Product website
website link**



collection advantages

one chair - many possibilities

The Flos chair collection is distinguished by its wide range of bases (metal, wooden as well as on castors). Two equally comfortable seat types, with or without armrests, respond to the needs of today's working environment (office and home office).

user comfort

Flos seats use compression cones, which significantly increases seating comfort

technical data

FS K 260

Standard ●
Option ○

Base

Powder painted (colors according to the Bejot sampler book) ●

Castors

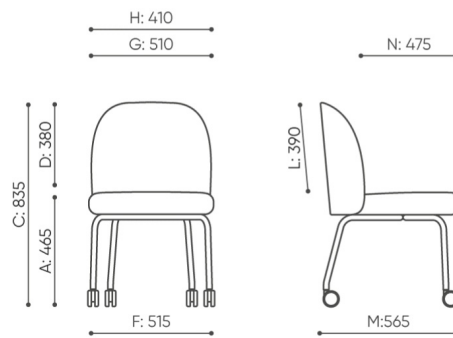
Hard castors for soft floors Ø 65 with auto-brake DEMA ●

Soft castors for hard floors Ø 65 with auto-brake DEMAD ○

Universal castors without brake function, color white RL W4 ○

dimensions

FS K 260



FS K 260

- A seat height: overall dimensions
- B seat height: measured according to the norm
PN EN 1335 - 1
- C chair height
- D backrest height
- E headrest height
- F dimensional width chair / base
- G seat width
- H backrest width
- I width between armrests
- K height from the floor to the armrest
- L backrest length
- M dimensional chair depth
- N seat depth / seat length

Dimensions are approximate and may vary depending on the selected product configuration. The requirements of the standard are always met.

materials available for collection

| | |
|-----------------|---|
| 1st price group | Fenno, Keimo |
| 2nd price group | Alpa, Charles, Charles - Studio Design, Cura, Pastel, Roccia |
| 3rd price group | Ally, Ally SD, Alpa-Studio Design, Blazer, Cura SD, Easy SD, Oceanic, Silvertex , Silvertex - Studio Design, Synergy, Synergy - Studio Design |
| 4th price group | Heritage, Oceanic-Studio Design, Remix - Studio Design |
| 5th price group | Accessoire, Steelcut Trio 3 |
| Leather | Leather |
| Wood | Solid oak wood - clear varnish matt |
| Metal | Metal - powder coated |

bejot:flos

