

flos

FSW L740

: product card



The Flos collection is all about extremely comfortable seating with a wide range of bases: metal, wooden, on castors, low, high and benches. It is perfect for both office and home workplaces.

design:
Tomasz Augustyniak

**must
have**
THE BEST OF DESIGN

bejot:

Product website
website link



collection advantages

relaxation and communication

The flowing contour line, the light form of the furniture and a touch of classic character lend finesse to Flos benches, particularly welcome in spaces used for relaxation. For interiors focused on integration, the use of sofas instead of chairs helps to build a less formal atmosphere, shorten the distance and establish new relationships.

high and low benches

Flos benches with a powder-coated base come in two heights (high and low). Benches with oak or oak-metal construction are only available in one height (low).

technical data

FSW L740

Standard ●
Option ○

Base

Powder coated (colors according to the Bejot sampler) + wooden legs (solid oak wood - natural colour O1) ●

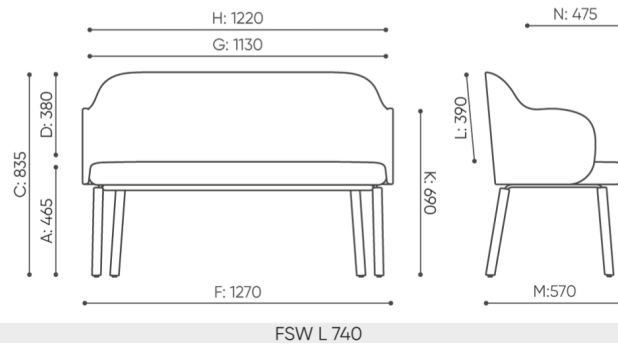
Feet

Without feet ●

Felt feet on wooden floors and panels DF ○

dimensions

FSW L740



- A seat height: overall dimensions
- B seat height: measured according to the norm
PN EN 1335 - 1
- C chair height
- D backrest height
- E headrest height
- F dimensional width chair / base
- G seat width
- H backrest width
- I width between armrests
- K height from the floor to the armrest
- L backrest length
- M dimensional chair depth
- N seat depth / seat length

Dimensions are approximate and may vary depending on the selected product configuration. The requirements of the standard are always met.

materials available for collection

1st price group	Fenno, Keimo
2nd price group	Alaska, Alpa, Charles - Studio Design, Cura, Pastel, Roccia
3rd price group	Ally, Ally SD, Alpa-Studio Design, Blazer, Cura SD, Cyber SD, Easy SD, Oceanic, Silvertex , Silvertex - Studio Design, Synergy, Synergy - Studio Design
4th price group	Heritage, Oceanic-Studio Design, Remix - Studio Design
5th price group	Accessoire*, Steelcut Trio 3
Leather	Leather
Metal	Metal - powder coated

bejot:flos

