

flos

FS K HN

: product card



The Flos collection is all about extremely comfortable seating with a wide range of bases: metal, wooden, on castors, low, high and benches. It is perfect for both office and home workplaces.

design:
Tomasz Augustyniak

**must
have**
THE BEST OF DESIGN AND TECHNOLOGY

bejot:

**Product website
website link**



collection advantages

comfortable bar chairs

The ergonomic bucket of the Flos hocker adapts to the shape of the back, providing spinal support in a classic, elegant design. Hockers are now being used in office and restaurant interiors as well as in the home.

technical data

FS K HN

Standard ●
Option ○

Base

Powder painted (colors according to the Bejot sampler book) ●

Feet

Feet for soft floor

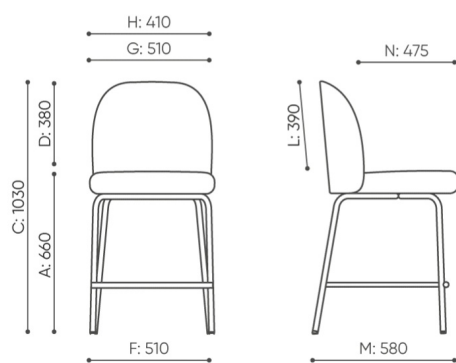
TK ●

Felt feet for hard floor

TF ○

dimensions

FS K HN



FS K HN

- A seat height: overall dimensions
- B seat height: measured according to the norm
PN EN 1335 - 1
- C chair height
- D backrest height
- E headrest height
- F dimensional width chair / base
- G seat width
- H backrest width
- I width between armrests
- K height from the floor to the armrest
- L backrest length
- M dimensional chair depth
- N seat depth / seat length

Dimensions are approximate and may vary depending on the selected product configuration. The requirements of the standard are always met.

materials available for collection

1st price group	Fenno, Keimo
2nd price group	Alpa, Charles, Charles - Studio Design, Cura, Pastel, Roccia
3rd price group	Ally, Ally SD, Alpa-Studio Design, Blazer, Cura SD, Easy SD, Oceanic, Silvertex , Silvertex - Studio Design, Synergy, Synergy - Studio Design
4th price group	Heritage, Oceanic-Studio Design, Remix - Studio Design
5th price group	Accessoire, Steelcut Trio 3
Leather	Leather
Metal	Metal - powder coated

