

fendo

FD 270 2M

: product card



Fendo collection is light and modern in its form, with precise finishing and a wide selection of models and colors. It is perfect for office and public spaces, such as conference rooms, waiting rooms and cafeterias.

design:
Scagnellato & Ferrarese

Product website
[website link](#)



bejot:

collection advantages

Ascetic line

The Fendo is a wide range of the models and colours, light and modern form as well as precision workmanship. The ascetic, prominent straight line of the bucket fits perfectly with the modern office space.

Stacking has never been so easy

Stacking the chairs has never been so easy, and thanks to its construction the Fendo allows for stacking on a truck even up to 30 pieces. This will enable you to simply store and dispose the chairs whenever you need them.

technical data

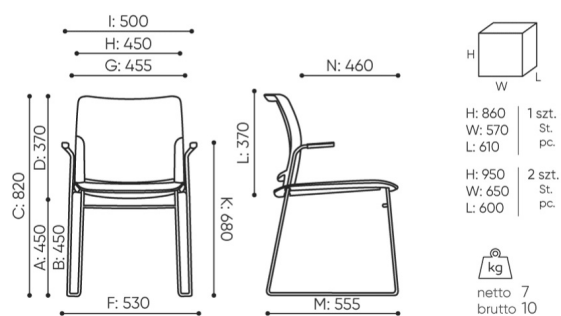
FD 270 2M

Standard ●
Option ○

Base	CODE	
Chromed		●
Powder painted (colors according to Bejot pattern book)		○
Backrest	CODE	
Black mesh CLASSIC (black frame)	M08	●
Light grey mesh CLASSIC (black frame)	M09	○
Armrests		
Plastic armrests - seat / backrest color for 1N / 2N / 4N version		●
Plastic armrests - black for the 2M version		●
Slides	CODE	
Slides for ceramic floors, concrete, carpets		●
Additional equipment	CODE	
Chair connector in rows allowing the numbering of rows	LN	○
Code names marks	CODE	
Whole plastic	1N	
Seat: upholstered / backrest: plastic	2N	
Upholstered seat and backrest	4N	
Upholstered seat / backrest black frame + mesh	2M	

dimensions

FD 270 2M



FD 270 1N

- A seat height: overall dimensions
- B seat height: measured according to the norm
PN EN 1335 - 1
- C chair height
- D backrest height
- E headrest height
- F dimensional width chair / base
- G seat width
- H backrest width
- I width between armrests
- K height from the floor to the armrest
- L backrest length
- M dimensional chair depth
- N seat depth / seat length

Dimensions are approximate and may vary depending on the selected product configuration. The requirements of the standard are always met.

materials available for collection

1st price group	Bond, Fenno, Keimo, Sawana
2nd price group	Alpa, Charles, Charles - Studio Design, Cura, Pastel, Roccia, Valencia
3rd price group	Ally, Ally SD, Alpa-Studio Design, Blazer, Cura SD, Easy SD, Oceanic, Silvertex , Silvertex - Studio Design, Synergy, Synergy - Studio Design, Valencia - Studio Design
4th price group	Heritage, Oceanic-Studio Design, Remix - Studio Design
5th price group	Steelcut Trio 3
Leather	Leather
Membrane	Membrane Kyos, Momo, Milla
Plastic	Plastik Fendo 2M, Plastic Fendo
Metal	Metal - powder coated



bejot:fendo