

# epocc\_lounge

EP 522

: product card



A tribute to simplicity, inspired by the design excellence of days gone by - this is the definition of the Epocc\_lounge collection. The wide and deep seat and well-shaped backrest ensure maximum sitting comfort, while the acoustic headrest muffles external noises.

**design:**

**Jan Kochański**

**Product website**  
[website link](#)



**bejot:**

# collection advantages

## comfort in the spirit of the 1950s.

The wide seats and ergonomically adjusted backrest angle guarantee comfort even during prolonged use.

## matched to the interior style

Epocc\_lounge seats are available in three variants: with high and low backrests and an acoustic headrest.

## even more comfort

Epocc\_lounge seats are optionally available with armrest pads. They can be upholstered in fabric or leather.

## technical data

EP 522

Standard ●  
Option ○

### Base

Powder painted (colors according to the Bejot sampler) ●

### Armrests

Without upholstered pads ●

With upholstered pad in the color of the seat and backrest upholstery P-A ○

With upholstered pad in leather P-L ○

### Feet

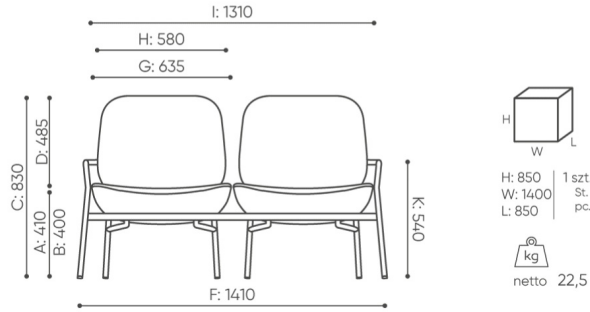
Feet for soft floor TK ●

Felt feet for hard floor TF ○

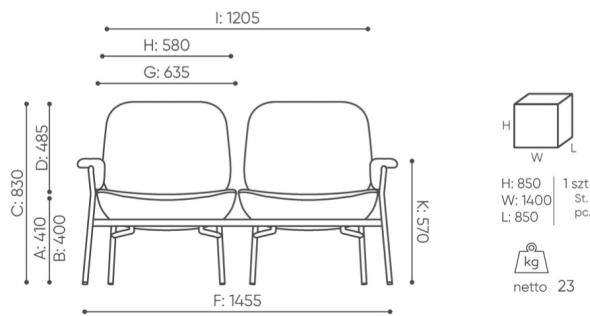
bejot:epooc\_lounge

# dimensions

EP 522



EP 522



EP 522 + P

bejot:epocc\_lounge

- A seat height: overall dimensions
- B seat height: measured according to the norm  
PN EN 13335 - 1
- C chair height
- D backrest height
- E headrest height
- F dimensional width chair / base
- G seat width
- H backrest width
- I width between armrests
- K height from the floor to the armrest
- L backrest length
- M dimensional chair depth
- N seat depth / seat length

Dimensions are approximate and may vary depending on the selected product configuration. The requirements of the standard are always met.

## materials available for collection

1st price group	Fenno, Keimo
2nd price group	Alaska, Alpa, Charles, Charles - Studio Design, Cura, Era - Studio Design, Pastel, Roccia
3rd price group	Ally, Ally SD, Alpa-Studio Design, Blazer, Cura SD, Cyber SD, Easy SD, Oceanic, Silvertex , Silvertex - Studio Design, Synergy, Synergy - Studio Design
4th price group	Heritage, Oceanic-Studio Design, Remix - Studio Design
5th price group	Accessoire*, Steelcut Trio 3
Leather	Leather
Tabletop	Finger joint wood, Laminated tabletop
Metal	Metal - powder coated

bejot:epocc\_lounge

