

alberi

ALSC 1110 IN

: product card



Alberi is a collection of acoustic wall panels and free-standing screens with a wide range of configuration possibilities. The biophilic shape and patterns have been inspired by trees, while the textures and colours relate to the seasons.

design:
Maciej Karpiak

Product website
[website link](#)



bejot:

collection advantages

biophilia in the office

Alberi is an excellent alternative to standard acoustic panels because, in addition to their acoustic properties, they also provide a pleasant visual experience and rest for the eyes.

moody colours

The carefully selected colours evoke the seasons and create positive emotions. A wide range of RAL colours allows interesting combinations of frame and fabric shades.

available variants

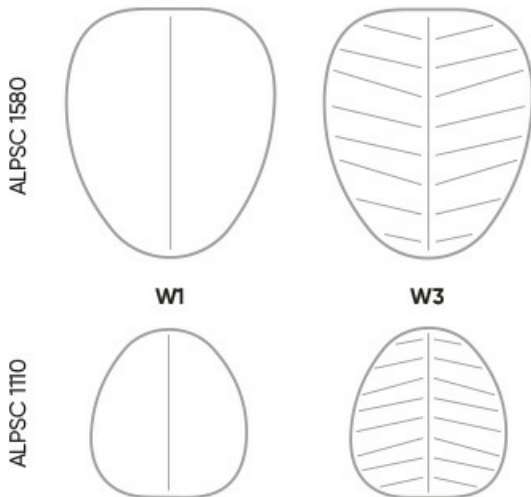
Panels and screens are available in 2 sizes and 3 embossing patterns.

technical data

ALSC 1110 IN

Standard ●
Option ○

Type of pattern

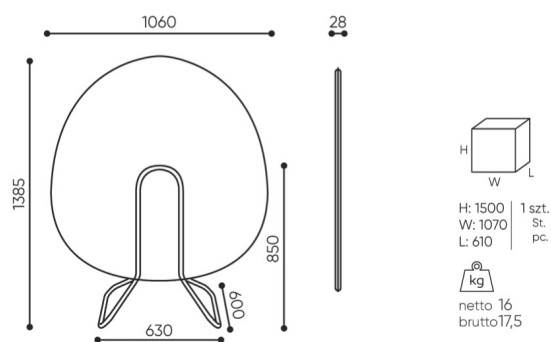


Base

Powder coated (colors according to the Bejot sampler) ●

dimensions

ALSC 1110 IN



ALSC 1110

H height: overall dimensions

W width: overall dimensions

L depth: overall dimensions

Dimensions are approximate and may vary depending on the selected product configuration. The requirements of the standard are always met.

materials available for collection

2nd price group

Hush

3rd price group

Blazer

Metal

Metal - powder coated

